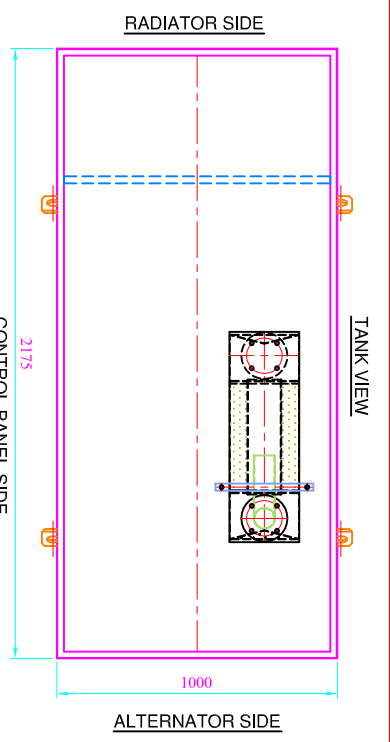
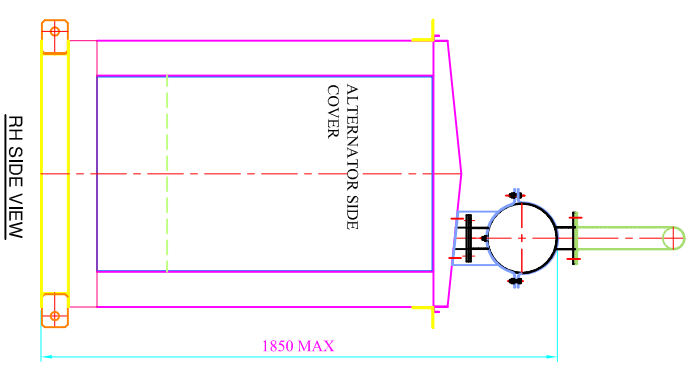
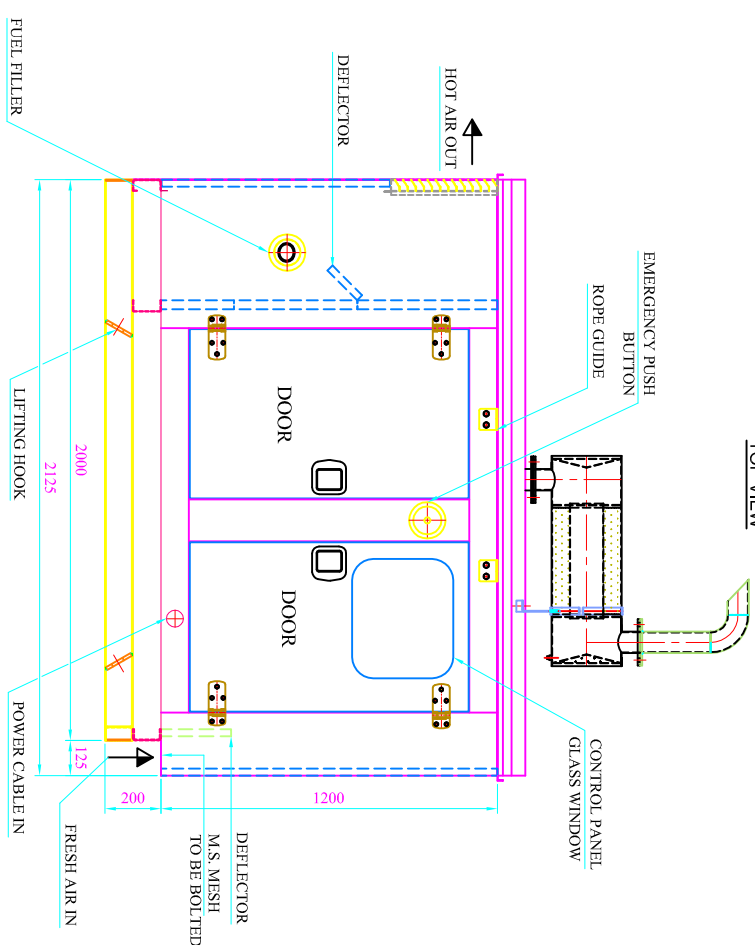
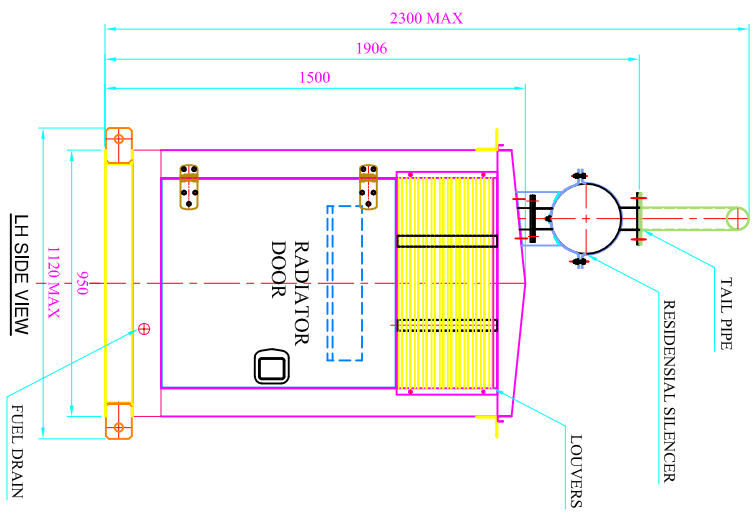


- NOTE:
1. 25 mm THICK & 26kg/m<sup>3</sup> DENSITY FOAM GLUED TO ALL INSIDE FACES OF WALLS, DOORS, COLUMNS, RADIATOR/ALTERNATOR DUCTS, TOP/BOTTOM BEAMS, ROOF AND Baffle PLATES IN ALTERNATOR SIDE EXCEPT LOUVER AREA.
  2. USE ONLY Zn WITH BLUE PASSIVATED FASTENERS.
  3. CANOPY PARTS TO BE POWDER COATED IN PE BLUE EXCEPT ROOF & DUCT LOUVERS WHICH ARE IN RAL 5000 STRUCTURE FINISH.
  4. SHEET THICKNESS FOR ALL DOORS, ROOF, OUTER SHEETS AND STIFFENERS IS 1.6mm CRCA SHEET.
  5. SHEET MATL. FOR PRESSED CHANNELS IN MAIN FRAME CRCA 3 THK. AND SUBFRAME CRCA 3THK.
  6. ALL JOINTS BETWEEN ROOF, COLUMNS AND TOP BEAMS ARE TO BE PASTED WITH 25 mm WIDTH BY 2mm THICK NOISE INSULATING TAPE TO AVOID NOISE LEAKAGES.
  7. TOLERANCE ON OVERALL DIMENSIONS IS ±10mm.
  8. ALL DOORS RUBBER BIDDING BUB DIA. 12mm.
  9. ALL DOOR LOCKS & HINGES ARE IN STAINLESS STEEL.



CONTROL PANEL SIDE TOP VIEW



UNMENTIONED TOLERANCES

UNDER FINISH	ABOVE	0	6	315	1000	2000
UP TO	6	315	1000	2000	3112	4112
TOL.	±0.2	±0.5	±0.8	±1.2	±1.2	±1.2

ANGLE: ±1/2

SURFACE ROUGHNESS (RA) AS PER IS:9-02-027

RA	3.2	6.3	12.5	25	50	100
CLASS	A	B	C	D	E	F

REV.	ZONE	DCN No.	BRIEF RECORD	SIGNATURE	DATE

UNMENTIONED TOLERANCES

THIS SUPERVISOR'S SIGNATURE IS REQUIRED FOR THE ORIGINAL AND THE REPRODUCTION OF THESE IN ANY FORM IS TO BE DONE WITH THE EXPRESS PERMISSION OF THE COMPANY.

CASTING/FAW REF: 20K-3KFWN105 D.G. SET

USED ON: GENERAL ARRANGMENT DRAWING OF-20KVA

TITLE: GENERAL ARRANGMENT DRAWING OF-20KVA

AS PER DCN NO. 22501807R00/000

DATE: 21/6/08

SCALE: 1:1

APPROVED: [Signature]